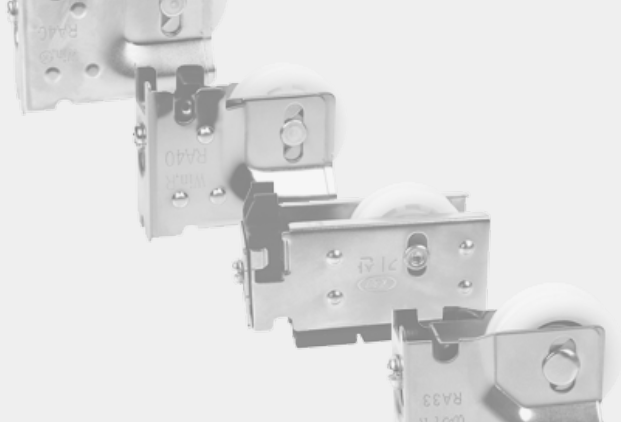


A.L Roller



KSM-105SB,112SB (Stainless B/R)

| | | | |
|--|--|--|--|
| | | <p>Material</p> <ul style="list-style-type: none"> - Housing : STL - Wheel : Acetal - Bearing : BUSH | <p>Packaging Unit</p> <ul style="list-style-type: none"> - 500ea |
| | | <p>Set Load</p> <ul style="list-style-type: none"> - 20Kg | <p>Remark</p> <ul style="list-style-type: none"> - adjust |


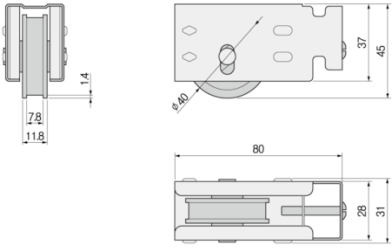
KSM-105S(스텐)

| | | | |
|--|--|---|--|
| | | <p>Material</p> <ul style="list-style-type: none"> - Housing : STS430 - Wheel : Acetal - Bearing : BUSH | <p>Packaging Unit</p> <ul style="list-style-type: none"> - 400ea |
| | | <p>Set Load</p> <ul style="list-style-type: none"> - 40Kg | <p>Remark</p> <ul style="list-style-type: none"> - adjust |
| | | <p>* For Namsun 105, 112mm</p> | |


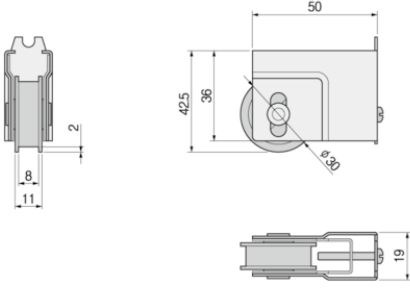
KSM-105SB,112SB (Stainless B/R)

| | | | |
|--|--|--|--|
| | | <p>Material</p> <ul style="list-style-type: none"> - Housing : STL - Wheel : Acetal - Bearing : BUSH | <p>Packaging Unit</p> <ul style="list-style-type: none"> - 500ea |
| | | <p>Set Load</p> <ul style="list-style-type: none"> - 20Kg | <p>Remark</p> <ul style="list-style-type: none"> - adjust |


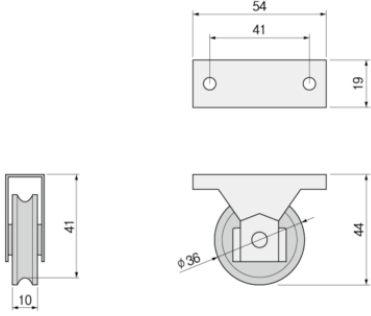
KSM-110SB

| | | |
|---|---|--|
|  |  | <p>Material</p> <ul style="list-style-type: none"> - Housing : STL,STS430 - Wheel : Acetal - Bearing : BUSH,BALL <p>Set Load</p> <ul style="list-style-type: none"> - 40kg, 60kg <p>* For Dongyang 110mm</p> <p>Packaging Unit</p> <ul style="list-style-type: none"> - 200ea <p>Remark</p> <ul style="list-style-type: none"> - adjust |
|---|---|--|


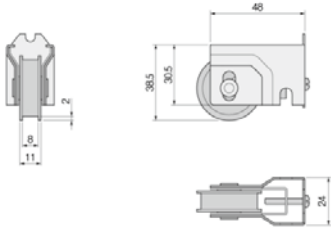
KSM-136SB (Stainless B/R)

| | | |
|--|--|--|
|  |  | <p>Material</p> <ul style="list-style-type: none"> - Housing : STS430 - Wheel : Acetal - Bearing : BALL <p>Set Load</p> <ul style="list-style-type: none"> - 40kg <p>Packaging Unit</p> <ul style="list-style-type: none"> - 500ea <p>Remark</p> <ul style="list-style-type: none"> - adjust |
|--|--|--|


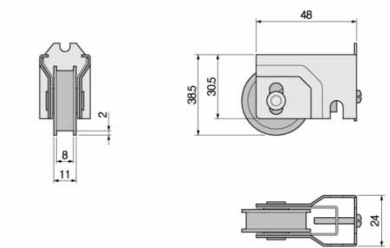
KSM-080CZI (80X43)

| | | |
|---|---|---|
|  |  | <p>Material</p> <ul style="list-style-type: none"> - Housing : STL - Wheel : Acetal - Bearing : BUSH <p>Set Load</p> <ul style="list-style-type: none"> - 20kg <p>Packaging Unit</p> <ul style="list-style-type: none"> - 500ea <p>Remark</p> <ul style="list-style-type: none"> - adjust |
|---|---|---|


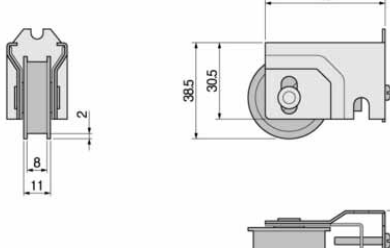
KSM-085SB (Stainless B/R)

| | | |
|---|---|--|
|  |  | <p>Material</p> <ul style="list-style-type: none"> - Housing : STS430 - Wheel : Acetal - Bearing : BALL <p>Set Load</p> <ul style="list-style-type: none"> - 40kg <p>* For Namsun 85mm</p> <p>Packaging Unit</p> <ul style="list-style-type: none"> - 400ea <p>Remark</p> <ul style="list-style-type: none"> - adjust |
|---|---|--|


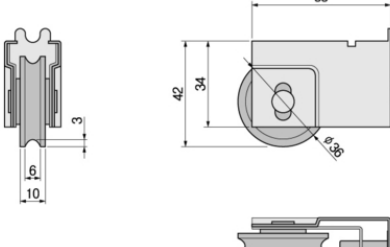
KSM-085S (Stainless)

| | | | |
|---|---|---|--|
|  |  | <p>Material</p> <ul style="list-style-type: none"> - Housing : STS430 - Wheel : Acetal - Bearing : BUSH <p>Set Load</p> <ul style="list-style-type: none"> - 20kg <p>* For Namsun 85mm</p> | <p>Packaging Unit</p> <ul style="list-style-type: none"> - 400ea <p>Remark</p> <ul style="list-style-type: none"> - adjust |
|---|---|---|--|


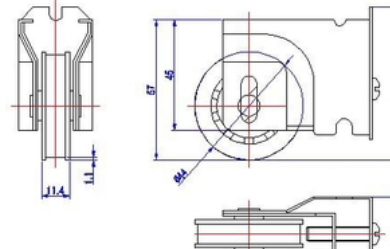
KSM-085CZN (Galvanizing)

| | | | |
|--|--|--|--|
|  |  | <p>Material</p> <ul style="list-style-type: none"> - Housing : STL - Wheel : Acetal - Bearing : BUSH <p>Set Load</p> <ul style="list-style-type: none"> - 20kg <p>* For Namsun 85mm</p> | <p>Packaging Unit</p> <ul style="list-style-type: none"> - 400ea <p>Remark</p> <ul style="list-style-type: none"> - adjust |
|--|--|--|--|

KSM-080CZN (Galvanizing)

| | | | |
|---|---|--|--|
|  |  | <p>Material</p> <ul style="list-style-type: none"> - Housing : STL - Wheel : Acetal - Bearing : BUSH <p>Set Load</p> <ul style="list-style-type: none"> - 20kg <p>* For Namsun 85mm</p> | <p>Packaging Unit</p> <ul style="list-style-type: none"> - 400ea <p>Remark</p> <ul style="list-style-type: none"> - adjust |
|---|---|--|--|

KSM-112S(44')

| | | | |
|---|---|---|--|
|  |  | <p>Material</p> <ul style="list-style-type: none"> - Housing : STS430 - Wheel : Acetal - Bearing : BUSH,BALL <p>Set Load</p> <ul style="list-style-type: none"> - 20kg, 40kg <p>* Shin Chang Industry Co., Ltd., D&N Construction Co., Ltd. Insulated windows roller of Daerim Howin</p> | <p>Packaging Unit</p> <ul style="list-style-type: none"> - 200ea <p>Remark</p> <ul style="list-style-type: none"> - adjust |
|---|---|---|--|