

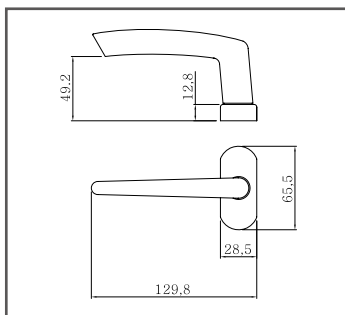
# One lock handle: 500 series handle

**One lock handle** is the handle developed to satisfy the functionality, the price and the constructability all of multi lock handle. It will give the best satisfaction to the constructor and the user with the simple construction convenience and the performance compared to price rather than the multihandle in the excellent durability, the security of general handle.

**500 series handle** : It would be well matched to any color as 500 series treated with the surface finish with the anodizing plate has the color unique to the metal.



501ASL



501ABL



501AGL



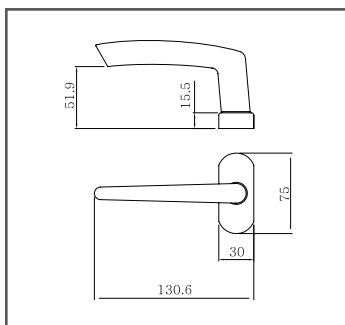
The possible application standards (mm)

The protrusion length of square shaft=A-14  
 The length of assembled screw=A+9(~+12)  
 The strike "0" type [PIN=6~12mm]



502ASL

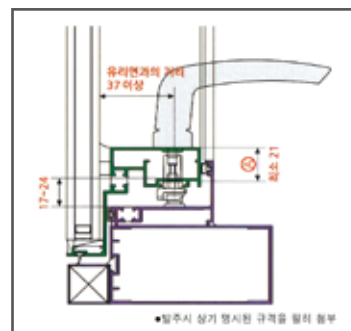
The addition of click feeling at time of operation in the basic form of 501ASL.



502ABL



502AGL

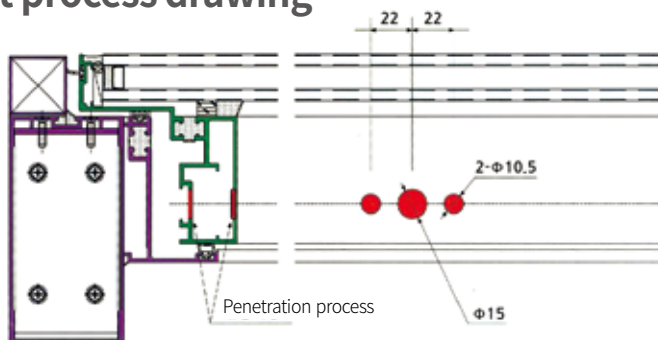


The possible application standards (mm)

The protrusion length of square shaft=A-14  
 The length of assembled screw=A+9(~+12)  
 The strike "0" type [PIN=6~12mm]

## Bent process drawing

Unit: mm



## System handle (multiple locking device)

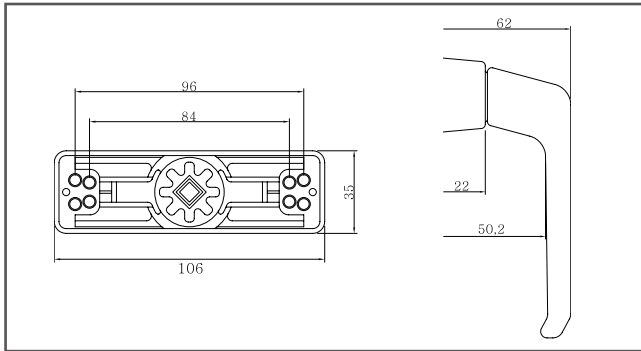
: Pull down / Push out / Casement windows

\* HD-007, HD-009 / Order of color of all the goods of multiple handle



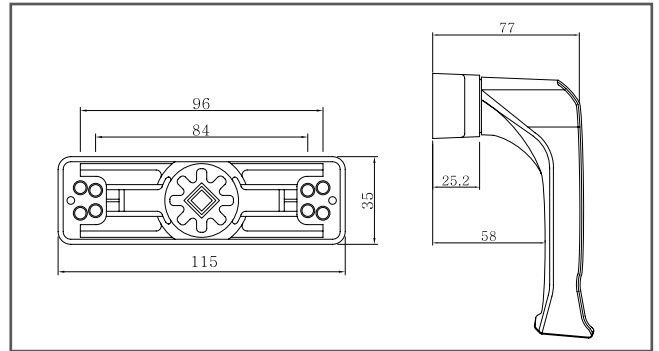
**HD-006** Basic color : Grey / White / Black / Silver

The smooth operation, the various color and nature friendly design.



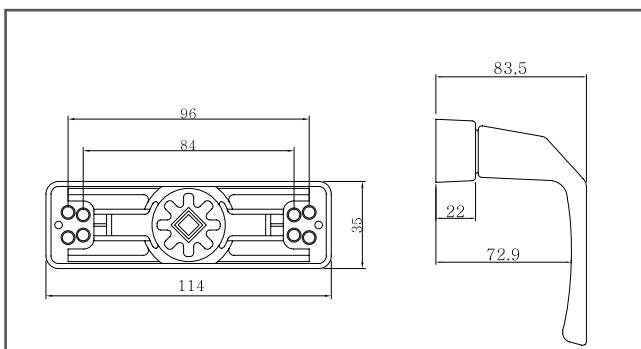
**HD-010** Basic color : Grey / White / Black / Silver

The bump of hand gripping the handle at time of opening and closing the windows with the design of curve.



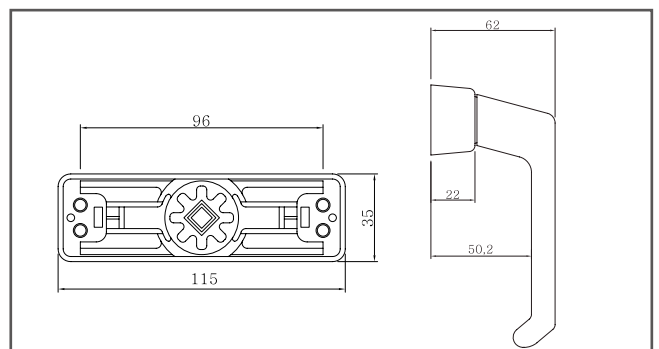
**HD-009A** Basic color : Grey / White / Black / Silver

The intervention of hand gripping the handle is prevented by raising the part of handle with the attachment bar.



**HD-066** Basic color : Grey / White / Black / Silver

Maximization of efficiency of assemblies with the conclusion of front piece. The exposure of fixed PC of application of piece cap is prevented.

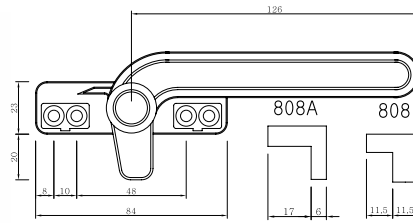


## PJ handle the high class functional handle Basic color: Grey / White / Black / Silver (cap grey)

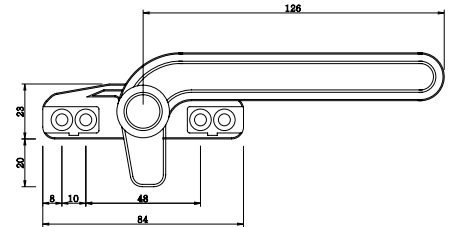
The exposure protection of fixed piece and the realization of high quality with the smooth operation, the compact design seeking the convenience at time of use and the application of piece cap.



HD-808A



HD-808 / 808A



HD-707

### PJ handle general type



HD-70 / HD-80 / HD-80A

### PD handle

(exclusive use for pull down)



HD-50

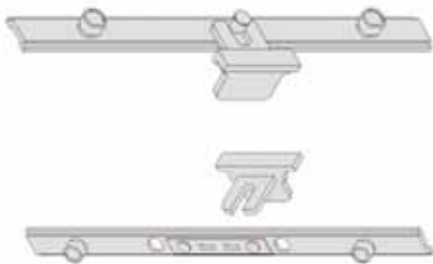
### Popular type handle



HD-60 / HD-65 / HD-65A

\* It is used conveniently for windows of all products with the use of various strike and wage in the all products of PJ, PD and popular type handle.

### Aluminum slide



|               |               |
|---------------|---------------|
| <b>A type</b> | for Pull down |
| <b>B type</b> | for Push out  |

Aluminium track

### Stainless slide

|               |               |
|---------------|---------------|
| <b>A type</b> | for Pull down |
| <b>B type</b> | for Push out  |

Custom built in synch with the size of windows

### Strike



| Type | Height       | Quality of material |
|------|--------------|---------------------|
| J    | 7,9,11,13,15 | Stainless           |
| L    | 9,11         | Stainless           |
| KL   | 9            | Stainless           |
| SL   | 9,11         | Stainless           |
| C    | 15           | Casting             |
| D    | 9            | Casting             |
| E    | 13           | Casting             |
| G    | 9,11         | Casting             |