

CRESCENT



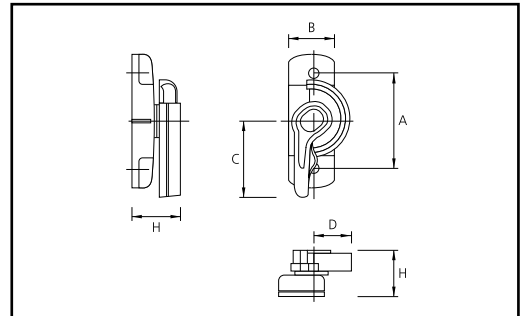
119 (Large)

118-1 (Middle)

118 (Small)

CS-118 (Small)-right

CR 120 (Small)



The product standard of CRESCENT

Name of product	left/right	A	B	C	D	H	Code No.	Box obtention
119 (Large)	for cum	60mm	24mm	80mm	18mm	28mm	G0085	300ea
118-1 (Middle)	for cum	50mm	22mm	50mm	18mm	28mm	G0054	300ea
118 (Small)	for cum	50mm	22mm	42mm	18mm	28mm	G0083	300ea
CS 118 (Small) right	Left	50mm	22mm	45mm	18mm	30mm	A1701	250ea
	Right	50mm	22mm	45mm	18mm	30mm	A1702	250ea
CR 120 (Small)	Left	50mm	29mm	47mm	18mm	30mm	G0079	100ea
	Right	50mm	29mm	47mm	18mm	30mm	G0078	100ea

※CRESCENT: 2W (2 pairs) - right / 4W (4 pairs) - left side

CR 801L
(Left) Small (N)



CR 801-1L
(Left) Small



CR 802R
(Left) Middle



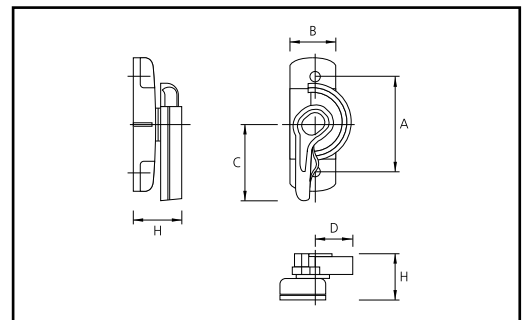
CR 803R
(Right) Large



CR 103 R/L



CR 105 R/L



The product standard of CRESCENT

Name of product	Left / Right	Cap	A	B	C	D	H	Code No.	Box obtention
801(N) (Small)	Left/Right	existence/nonexistence	50mm	22mm	40mm	18mm	22mm	I0001	300ea
801-1 (Small)	Left/Right	existence/nonexistence	50mm	22mm	52mm	18mm	22mm	I0005	300ea
802 (Middle)	Left/Right	existence/nonexistence	50mm	22mm	63mm	18mm	22mm	I0011	300ea
803 (Large)	Left/Right	existence	70mm	26mm	93mm	24mm	22mm	I0015	120ea
103	Left/Right	nonexistence	50mm	22.5mm	50mm	22mm	26mm	G0088	300ea
105	Left/Right	existence	50mm	22.5mm	50mm	22mm	26mm	G0089	500ea