

Aluminium Hardware

Handle		
	41	One lock handle: 500 series
	42	System handle
	43	PJ handle
Aluminium hinge		
Crescent	44	
ARM	45	
Roller	48	
	51	



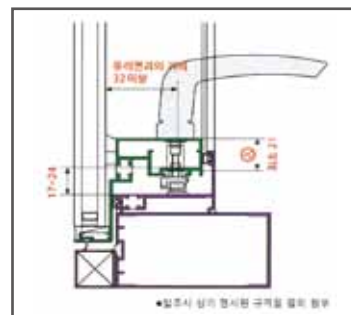
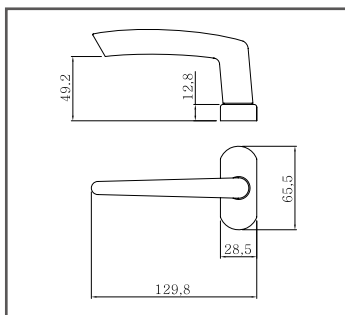
One lock handle: 500 series handle

One lock handle is the handle developed to satisfy the functionality, the price and the constructability all of multi lock handle. It will give the best satisfaction to the constructor and the user with the simple construction convenience and the performance compared to price rather than the multihandle in the excellent durability, the security of general handle.

500 series handle : It would be well matched to any color as 500 series treated with the surface finish with the anodizing plate has the color unique to the metal.



501ASL



The possible application standards (mm)

The protrusion length of square shaft=A-14
 The length of assembled screw=A+9(~+12)
 The strike "0" type [PIN=6~12mm]



501ABL

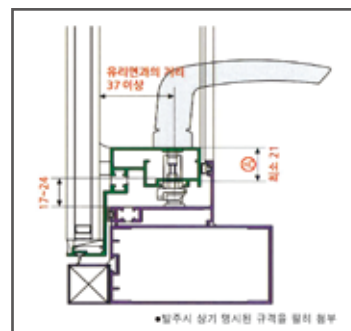
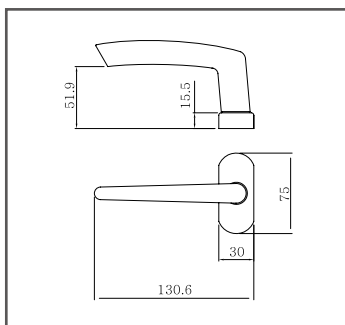


501AGL



502ASL

The addition of click feeling at time of operation in the basic form of 501ASL.



The possible application standards (mm)

The protrusion length of square shaft=A-14
 The length of assembled screw=A+9(~+12)
 The strike "0" type [PIN=6~12mm]



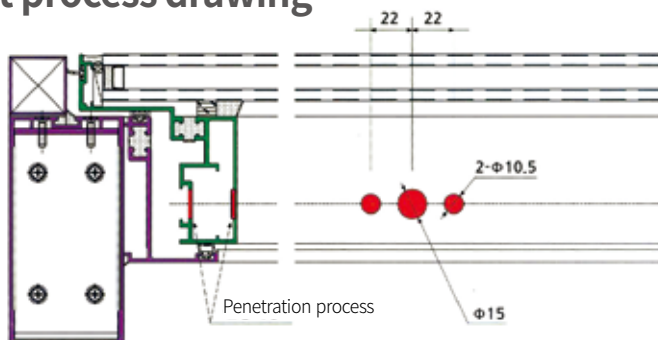
502ABL



502AGL

Bent process drawing

Unit: mm



System handle (multiple locking device)

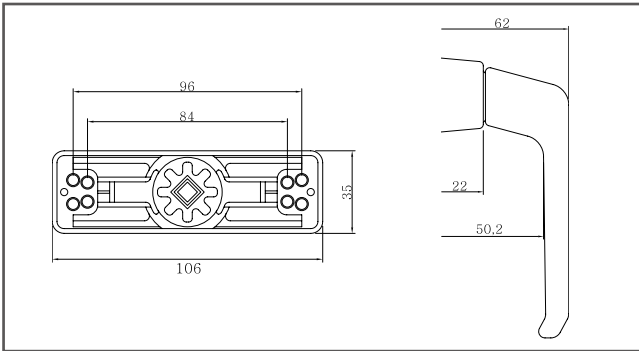
: Pull down / Push out / Casement windows

* HD-007, HD-009 / Order of color of all the goods of multiple handle



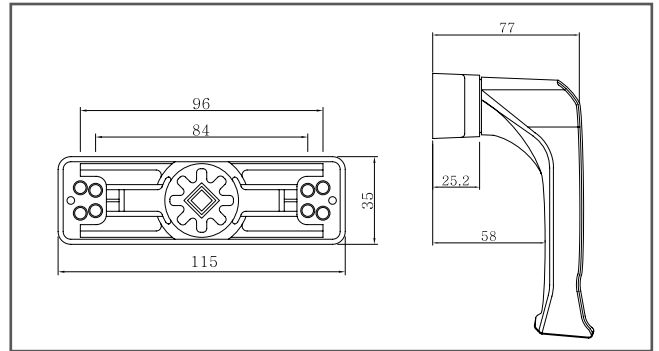
HD-006 Basic color : Grey / White / Black / Silver

The smooth operation, the various color and nature friendly design.



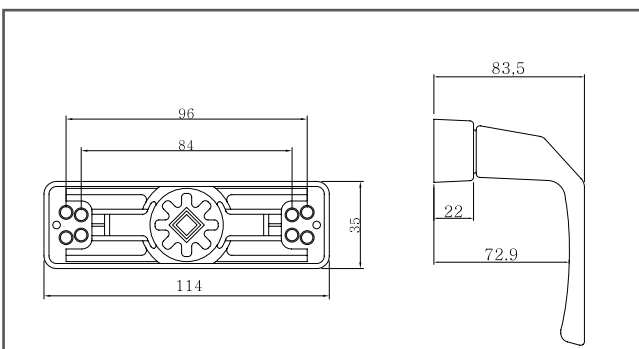
HD-010 Basic color : Grey / White / Black / Silver

The bump of hand gripping the handle at time of opening and closing the windows with the design of curve.



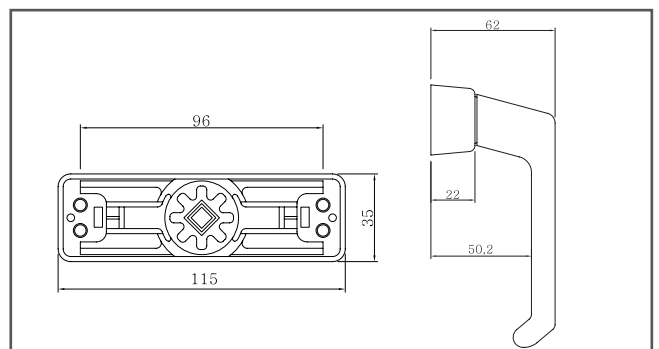
HD-009A Basic color : Grey / White / Black / Silver

The intervention of hand gripping the handle is prevented by raising the part of handle with the attachment bar.



HD-066 Basic color : Grey / White / Black / Silver

Maximization of efficiency of assemblies with the conclusion of front piece. The exposure of fixed PC of application of piece cap is prevented.

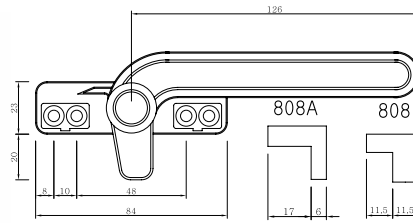


PJ handle the high class functional handle Basic color: Grey / White / Black / Silver (cap grey)

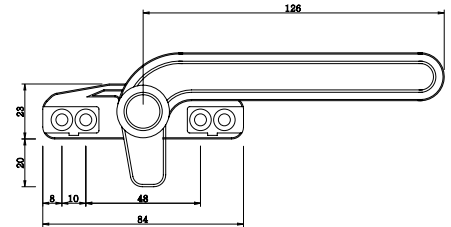
The exposure protection of fixed piece and the realization of high quality with the smooth operation, the compact design seeking the convenience at time of use and the application of piece cap.



HD-808A



HD-808 / 808A



HD-707

PJ handle general type



HD-70 / HD-80 / HD-80A

PD handle

(exclusive use for pull down)



HD-50

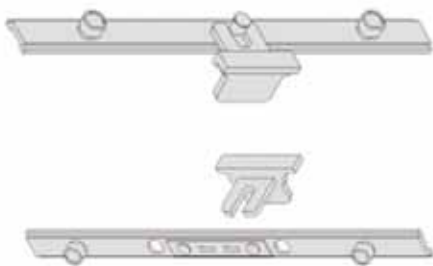
Popular type handle



HD-60 / HD-65 / HD-65A

* It is used conveniently for windows of all products with the use of various strike and wage in the all products of PJ, PD and popular type handle.

Aluminum slide



A type	for Pull down
B type	for Push out

Aluminium track

Stainless slide

A type	for Pull down
B type	for Push out

Custom built in synch with the size of windows

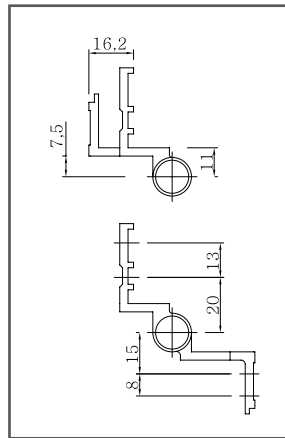
Strike



Type	Height	Quality of material
J	7,9,11,13,15	Stainless
L	9,11	Stainless
KL	9	Stainless
SL	9,11	Stainless
C	15	Casting
D	9	Casting
E	13	Casting
G	9,11	Casting

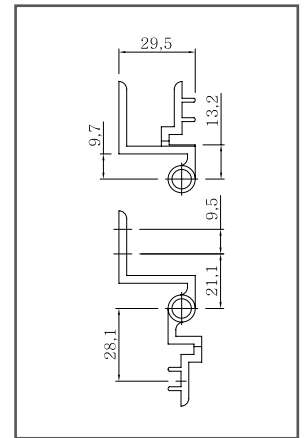
Aluminum hinge

NS



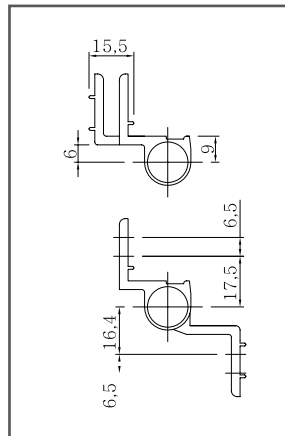
Grey / Black / White / Silver : Namsun/LG Chemical Ltd. and others

HS



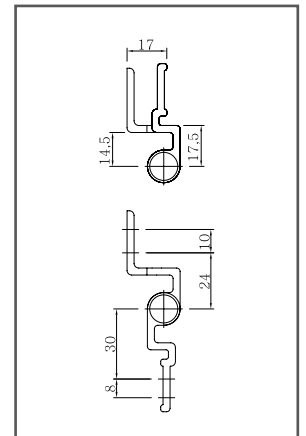
Grey / Black / White / Silver : Hyosung/Hyosung type bar and others

H-05



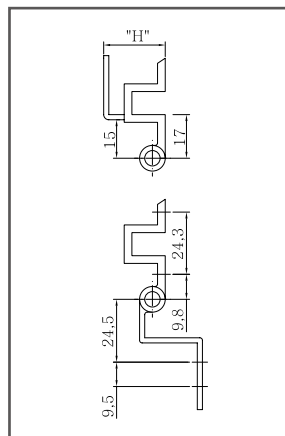
Grey / Black / White / Silver : System profile / insulated windows

H-06



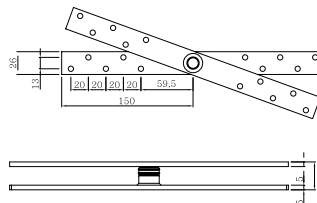
Grey / Black / White / Silver : System profile / insulated windows

IJ



Grey / Black / White / Silver : Namsun/Ijjin PJ and others

Hinge of pivoted window



The adjustment of height is possible

Stainless hinge



the custom built according

Gear hinge

General type

Angle regulating type

CRESCENT



119 (Large)



118-1 (Middle)



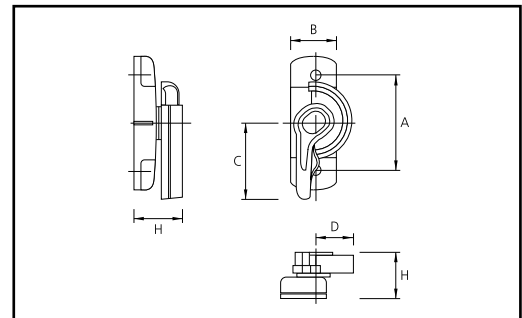
118 (Small)



CS-118 (Small)-right



CR 120 (Small)



The product standard of CRESCENT

Name of product	left/right	A	B	C	D	H	Code No.	Box obtention
119 (Large)	for cum	60mm	24mm	80mm	18mm	28mm	G0085	300ea
118-1 (Middle)	for cum	50mm	22mm	50mm	18mm	28mm	G0054	300ea
118 (Small)	for cum	50mm	22mm	42mm	18mm	28mm	G0083	300ea
CS 118 (Small) right	Left	50mm	22mm	45mm	18mm	30mm	A1701	250ea
	Right	50mm	22mm	45mm	18mm	30mm	A1702	250ea
CR 120 (Small)	Left	50mm	29mm	47mm	18mm	30mm	G0079	100ea
	Right	50mm	29mm	47mm	18mm	30mm	G0078	100ea

※CRESCENT: 2W (2 pairs) - right / 4W (4 pairs) - left side

CR 801L
(Left) Small (N)



CR 801-1L
(Left) Small



CR 802R
(Left) Middle



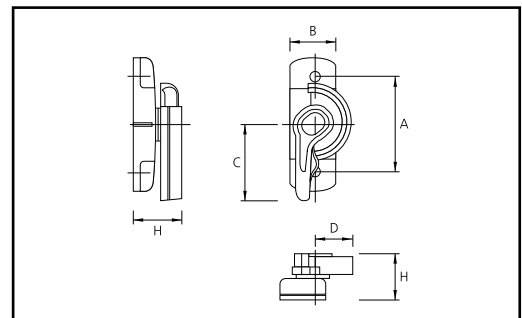
CR 803R
(Right) Large



CR 103 R/L



CR 105 R/L



The product standard of CRESCENT

Name of product	Left / Right	Cap	A	B	C	D	H	Code No.	Box obtention
801(N) (Small)	Left/Right	existence/nonexistence	50mm	22mm	40mm	18mm	22mm	I0001	300ea
801-1 (Small)	Left/Right	existence/nonexistence	50mm	22mm	52mm	18mm	22mm	I0005	300ea
802 (Middle)	Left/Right	existence/nonexistence	50mm	22mm	63mm	18mm	22mm	I0011	300ea
803 (Large)	Left/Right	existence	70mm	26mm	93mm	24mm	22mm	I0015	120ea
103	Left/Right	nonexistence	50mm	22.5mm	50mm	22mm	26mm	G0088	300ea
105	Left/Right	existence	50mm	22.5mm	50mm	22mm	26mm	G0089	500ea

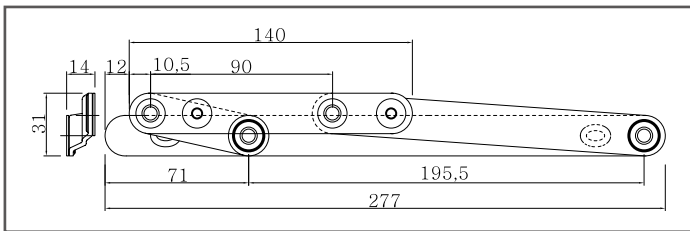
ARM



4BAR ARM High class series



- It is used in the windows of aluminum, PVC project pull down, Push out.
- The rust is prevented by using the stainless quality of material of best quality and the deformation of products is minimized.
(The state of initial use is kept for a long time)



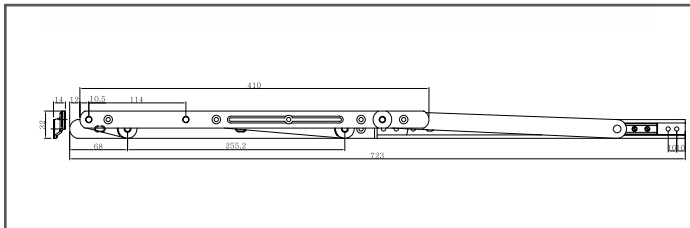
Model	Length(m/m)	Angle	Application (m/m)	Quality of material
DH-501	277	30°	31×14±	SUS-304 Series
DH-701	348	30°	31×14±	SUS-304 Series
DH-901	500	25°	31×14±	SUS-304 Series

*The application to all windows of P/J, P/D by using various PVC saucers is possible

ARM For heavy haul



- It is used in the windows of aluminum, PVC project pull down, Push out.
- The rust is prevented by using the stainless quality of material of best quality and the deformation of products is minimized.
(The state of initial use is kept for a long time)

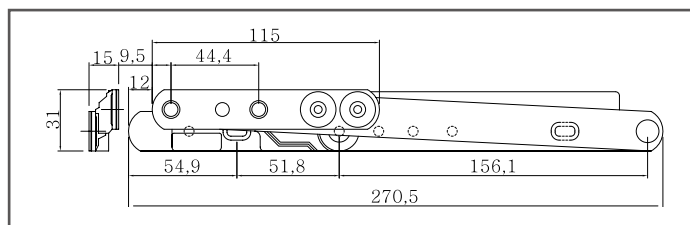


Model	Length (m/m)	Angle	Application (m/m)	Quality of material
NSL-723	723	31°	32×14±	SUS-304 Series
K-378	378	38°	38×14±	Rolled material of SUS-304 Series

ARM For Casement

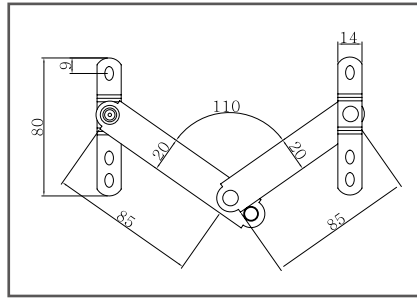


- It is used in the windows of aluminum, PVC project pull down, Push out.
- The rust is prevented by using the stainless quality of material of best quality and the deformation of products is minimized.
(the state of initial use is kept for a long time)
- hinge and supporting rock are not necessary.



Model	Length (m/m)	Angle	Application (m/m)	Quality of material
CA-270	270	90°	31×15±1	SUS-304 Series
K-283CM	283	80°	38×19±1	Rolled material of SUS-304 Series

ARM Auxiliary spar

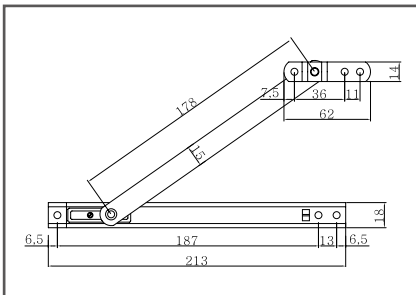


- Exclusive to pull down
- The application varies according to the window form and size

Model	Form	Classification	Application (m/m)
DP-2	V type	Small (150m/m)	14±1
DP-3	V type	Middle (250m/m)	14±1



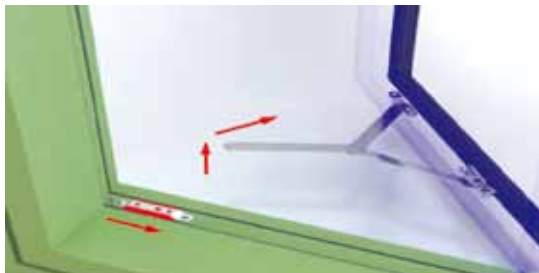
- Exclusive to pull down
- The application varies according to the window form and size



Model	Form	Length	Application (m/m)
NSP-1	1 letter type	213 × 178	Rail 18 × 14±1
NSP-2	1 letter type	269 × 270	Rail 18 × 14±1
NLP-5	1 letter type	201 × 183	Rail 22 × 22
NLP-8	1 letter type	290 × 340	Rail 22 × 22

ARM for Emergency escape (Separation)

* The best products in the emission of smoke and the emergency escape as the windows are completely open and closed using the separation function at time of fire, the emergent situation.



The method of use

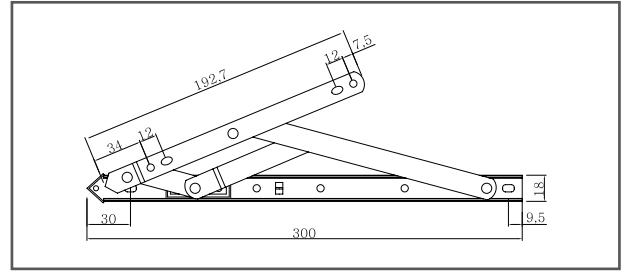
It is separated from the bracket as the pin fixed in the dark segment if the red color plastic component is pulled to the direction of arrow.

ARM General type

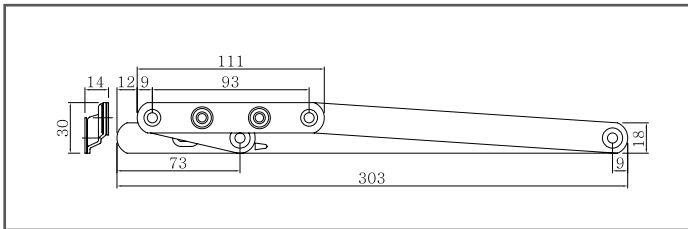


AN-2 (300m/m) / A-1 (200m/m)

- It is used in the windows of pull down, push out.



ARM Popular type



Model	Length(m/m)	quality of material
DH-204B	204	SUS-430 Series
DH-206B	206	SUS-304 Series
DH-303B	303	SUS-430 Series
DH307B	307	SUS-304 Series

ARM Plate



P20022 / P52215 / P63516

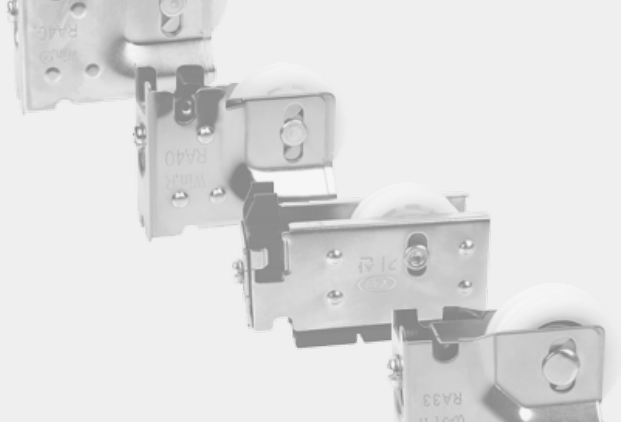
- It may be constructed more conveniently and solidly with the use of various plates

Bearing guide



- The deflection of casement windows is lessened or the clearance of top and bottom, left and right of windows are held.

A.L Roller



KSM-105SB,112SB (Stainless B/R)

		<p>Material</p> <ul style="list-style-type: none"> - Housing : STL - Wheel : Acetal - Bearing : BUSH <p>Set Load</p> <ul style="list-style-type: none"> - 20Kg 	<p>Packaging Unit</p> <ul style="list-style-type: none"> - 500ea <p>Remark</p> <ul style="list-style-type: none"> - adjust
--	--	--	--


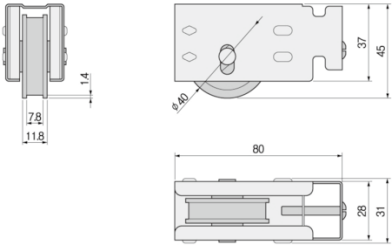
KSM-105S(스텐)

		<p>Material</p> <ul style="list-style-type: none"> - Housing : STS430 - Wheel : Acetal - Bearing : BUSH <p>Set Load</p> <ul style="list-style-type: none"> - 40Kg <p>* For Namsun 105, 112mm</p>	<p>Packaging Unit</p> <ul style="list-style-type: none"> - 400ea <p>Remark</p> <ul style="list-style-type: none"> - adjust
--	--	---	--


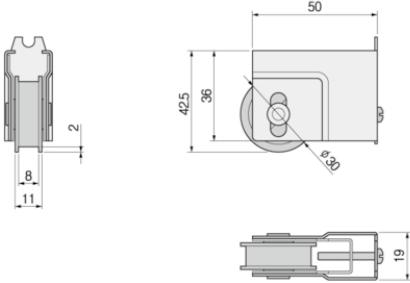
KSM-105SB,112SB (Stainless B/R)

		<p>Material</p> <ul style="list-style-type: none"> - Housing : STL - Wheel : Acetal - Bearing : BUSH <p>Set Load</p> <ul style="list-style-type: none"> - 20Kg 	<p>Packaging Unit</p> <ul style="list-style-type: none"> - 500ea <p>Remark</p> <ul style="list-style-type: none"> - adjust
--	--	--	--


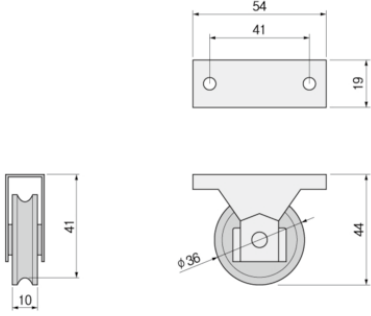
KSM-110SB

		<p>Material</p> <ul style="list-style-type: none"> - Housing : STL,STS430 - Wheel : Acetal - Bearing : BUSH,BALL <p>Set Load</p> <ul style="list-style-type: none"> - 40kg, 60kg <p>* For Dongyang 110mm</p> <p>Packaging Unit</p> <ul style="list-style-type: none"> - 200ea <p>Remark</p> <ul style="list-style-type: none"> - adjust
---	---	--


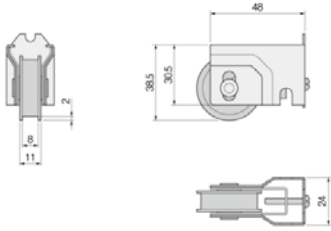
KSM-136SB (Stainless B/R)

		<p>Material</p> <ul style="list-style-type: none"> - Housing : STS430 - Wheel : Acetal - Bearing : BALL <p>Set Load</p> <ul style="list-style-type: none"> - 40kg <p>Packaging Unit</p> <ul style="list-style-type: none"> - 500ea <p>Remark</p> <ul style="list-style-type: none"> - adjust
--	--	--


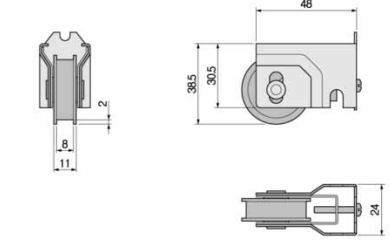
KSM-080CZI (80X43)

		<p>Material</p> <ul style="list-style-type: none"> - Housing : STL - Wheel : Acetal - Bearing : BUSH <p>Set Load</p> <ul style="list-style-type: none"> - 20kg <p>Packaging Unit</p> <ul style="list-style-type: none"> - 500ea <p>Remark</p> <ul style="list-style-type: none"> - adjust
---	---	---


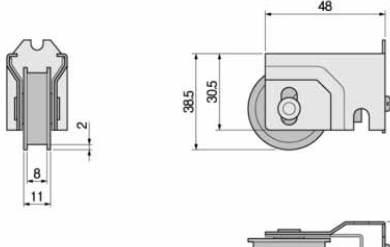
KSM-085SB (Stainless B/R)

		<p>Material</p> <ul style="list-style-type: none"> - Housing : STS430 - Wheel : Acetal - Bearing : BALL <p>Set Load</p> <ul style="list-style-type: none"> - 40kg <p>* For Namsun 85mm</p> <p>Packaging Unit</p> <ul style="list-style-type: none"> - 400ea <p>Remark</p> <ul style="list-style-type: none"> - adjust
---	---	--


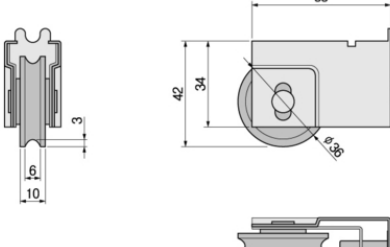
KSM-085S (Stainless)

		<p>Material</p> <ul style="list-style-type: none"> - Housing : STS430 - Wheel : Acetal - Bearing : BUSH <p>Set Load</p> <ul style="list-style-type: none"> - 20kg <p>* For Namsun 85mm</p>	<p>Packaging Unit</p> <ul style="list-style-type: none"> - 400ea <p>Remark</p> <ul style="list-style-type: none"> - adjust
---	---	---	--


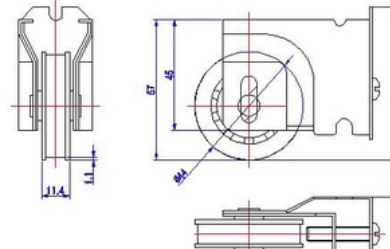
KSM-085CZN (Galvanizing)

		<p>Material</p> <ul style="list-style-type: none"> - Housing : STL - Wheel : Acetal - Bearing : BUSH <p>Set Load</p> <ul style="list-style-type: none"> - 20kg <p>* For Namsun 85mm</p>	<p>Packaging Unit</p> <ul style="list-style-type: none"> - 400ea <p>Remark</p> <ul style="list-style-type: none"> - adjust
---	---	--	--

KSM-080CZN (Galvanizing)

		<p>Material</p> <ul style="list-style-type: none"> - Housing : STL - Wheel : Acetal - Bearing : BUSH <p>Set Load</p> <ul style="list-style-type: none"> - 20kg <p>* For Namsun 85mm</p>	<p>Packaging Unit</p> <ul style="list-style-type: none"> - 400ea <p>Remark</p> <ul style="list-style-type: none"> - adjust
---	---	--	--

KSM-112S(44')

		<p>Material</p> <ul style="list-style-type: none"> - Housing : STS430 - Wheel : Acetal - Bearing : BUSH,BALL <p>Set Load</p> <ul style="list-style-type: none"> - 20kg, 40kg <p>* Shin Chang Industry Co., Ltd., D&N Construction Co., Ltd. Insulated windows roller of Daerim Howin</p>	<p>Packaging Unit</p> <ul style="list-style-type: none"> - 200ea <p>Remark</p> <ul style="list-style-type: none"> - adjust
---	---	---	--